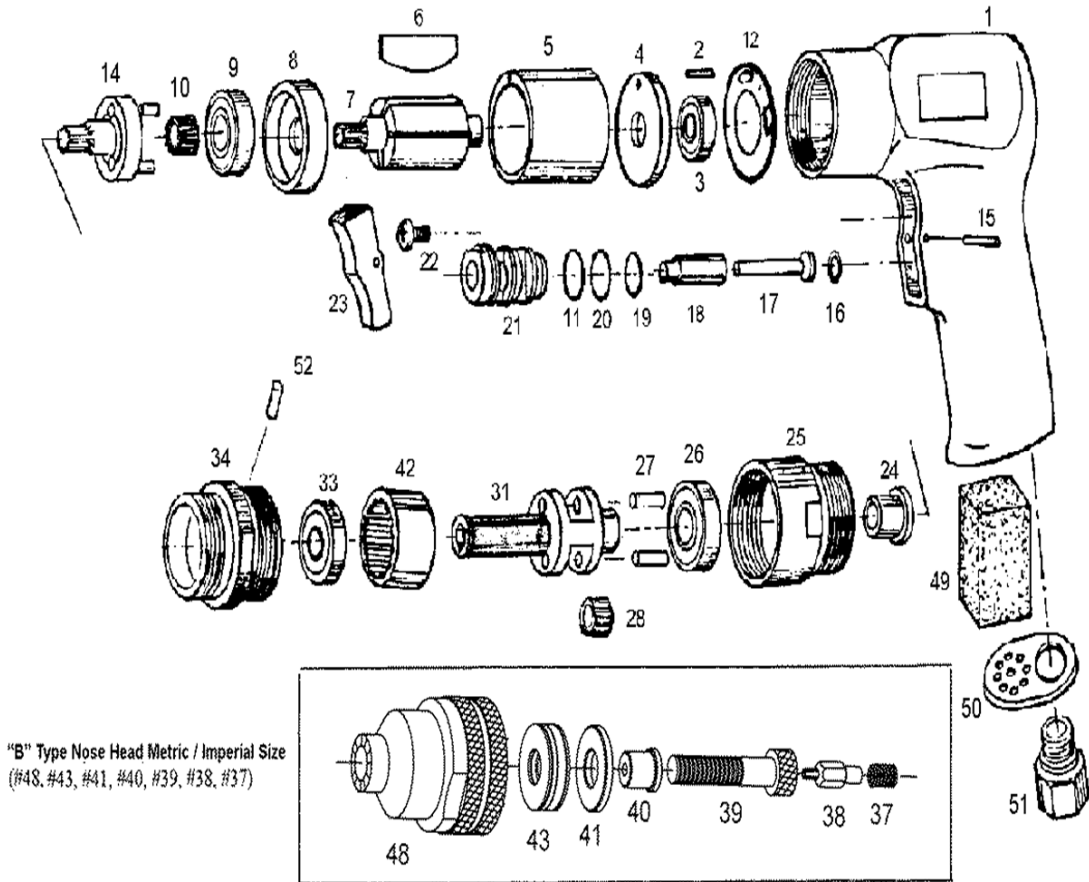


# GP-0621

[www.air-allied.com.au](http://www.air-allied.com.au)

## AIR PULL SETTER - 600rpm



"B" Type Nose Head Metric / Imperial Size  
(#48, #43, #41, #40, #39, #38, #37)

**PARTS DESCRIPTION**

| PARTS NO. | DESCRIPTION           |
|-----------|-----------------------|
| 01.       | MOTOR HOUSING         |
| 02.       | SPRING PIN            |
| 03.       | BALL BEARING          |
| 04.       | REAR PLATE            |
| 05.       | CYLINDER              |
| 06.       | ROTOR BLADE (5)       |
| 07.       | ROTOR                 |
| 08.       | FRONT PLATE           |
| 09.       | BALL BEARING          |
| 10.       | PLANET GEAR (3)       |
| 11.       | O-RING (2)            |
| 12.       | MOTOR GASKET          |
| 14.       | PLANET CAGE (15T)+PIN |
| 15.       | ROLL PIN              |
| 16.       | O-RING (2)            |
| 17.       | VALVE STEM (2)        |
| 18.       | SLEEVE (2)            |
| 19.       | O-RING (2)            |
| 20.       | O-RING (2)            |
| 21.       | THROTTLE BUSHING (2)  |
| 22.       | SCREW                 |
| 23.       | TRIGGER               |
| 24.       | BUSHING               |
| 25.       | HOUSING               |
| 26.       | BALL BEARING          |

**PARTS DESCRIPTION**

| PARTS NO. | DESCRIPTION          |
|-----------|----------------------|
| 27.       | PLANET PIN (2)       |
| 28.       | PLANET GEAR (2)      |
| 31.       | PLANET CAGE          |
| 33.       | BALL BEARING         |
| 34.       | SCREW HOUSING        |
| 37.       | SPRING               |
| 38-4.     | HEX BIT M4           |
| 38-5.     | HEX BIT M5           |
| 38-6.     | HEX BIT M6           |
| 39M4.     | BOLT M4P0.7          |
| 39M5.     | BOLT M5P0.8          |
| 39M6.     | BOLT M6P1.0          |
| 40A.      | BUSHING M4           |
| 40B.      | BUSHING M5           |
| 40C.      | BUSHING M6           |
| 41.       | WASHER M4-M6         |
| 42.       | INTERNAL GEAR        |
| 43.       | NEEDLE BEARING M4-M6 |
| 48M4.     | NUT ANVIL M4         |
| 48M5.     | NUT ANVIL M5         |
| 48M6.     | NUT ANVIL M6         |
| 49.       | MUFFLER              |
| 50.       | DIFFUSER EXHAUST     |
| 51.       | AIR INLET BUSHING    |
| 52.       | PIN                  |